



MURTFELDT PRODUCT TURNERS

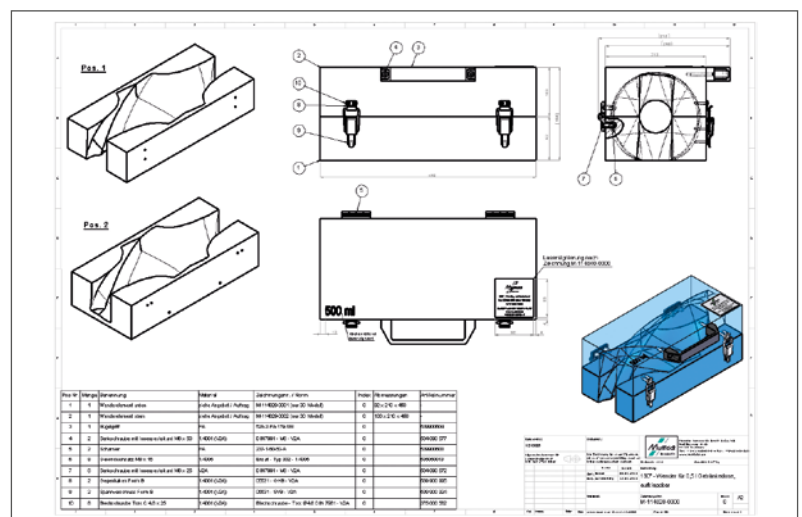
– recommended by many products!

We produce turners for e.g.:

- Folding boxes, cartons, and cardboard boxes
- Cans, bottles, and glasses
- Glass or plastic jars

For the following sectors, among others:

- Food sector
- Pharmaceuticals and cosmetics industry
- Automotive sector
- Beverage industry
- Electrical industry

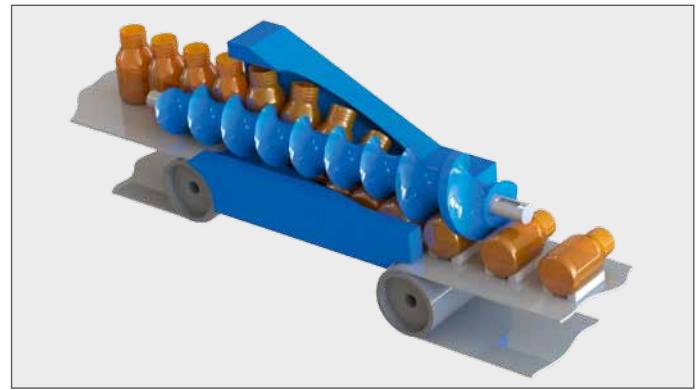


Murtfeldt manufactures product turners with any turning angle and direction that can be used in virtually any production and processing stage:

- for alignment before or after filling or packaging
- for pre-filling cleaning
- before and after labelling
- for sterilization by means of turning after filling

Individual assembly options for turners:

- on an existing conveyor belt
- between two conveyor belts
- with a low angle of inclination (10-15 degrees depending on the product)



Advantages of Murtfeldt product turners:

- high surface quality in conjunction with a low sliding friction coefficient results in optimum slide properties.
- only a low dynamic pressure necessary for a product running in an optimal way
- only one or two plastic elements necessary
- seamless internal contour enables really quiet and gentle product running
- stainless steel connection elements support hygienic Requirements
- use of plastics that are compliant with legal requirements for use in the food industry [FS] at the request of the customer
- one turner suits for many product formats